

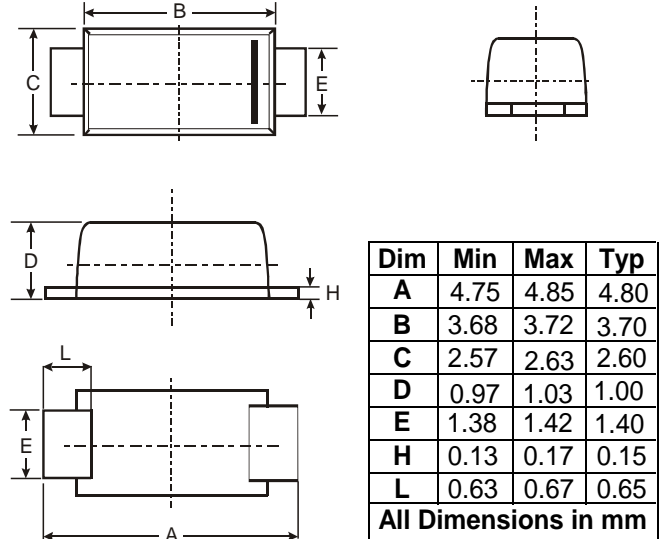
CURRENT 2.0 Ampere
 VOLTAGE RANG 50 to 1000 Volts

GS2AF THRU GS2MF

FEATURES

- Plastic package has underwrites laboratory flammability
- Classification 94V-0
- For surface mounted applications
- Low profile package
- Built-in strain relief, ideal for automated placement
- Glass Passivated chip junction
- High temperature soldering guaranteed
- 250°C/10 second at terminals

SMAF



MECHANICAL DATA

Case: JEDED SMAF molded plastic over glass passivated chip
 Terminals: Solder plated, Solderable per MIL-STD-750, method 2026
 Polarity: Color band denotes cathode end
 Weight: 0.0012ounce, 0.062gram

MAXIMUM RATINGS & THERMAL CHARACTERISTICS

Ratings at 25°C ambient temperature unless otherwise specified

	SYMBOLS	GS2A	GS2B	GS2D	GS2G	GS2J	GS2K	GS2M	UNIT
Maximum Repetitive Peak Reverse Voltage	V_{RRM}	50	100	200	400	600	800	1000	Volts
Maximum RMS Voltage	V_{RMS}	35	70	140	280	420	560	700	Volts
Maximum DC Blocking Voltage	V_{DC}	50	100	200	400	600	800	1000	Volts
Maximum Average Forward Rectified Current at $T_L=100^\circ\text{C}$	$I_{F(AV)}$	2.0							Amps
Peak Forward Surge Current 8.3ms single half sine wave superimposed on rated load (JEDEC method) $T_L=100^\circ\text{C}$	I_{FSM}	50							Amps
Typical Thermal Resistance (NOTE 1)	$R_{\theta JA}$	53							°C/W
	$R_{\theta JL}$	16							
Operating and Storage Temperature Range	T_J, T_{STG}	-55 to +150							°C

ELECTRICAL CHARACTERISTICS

	SYMBOLS	GS2A	GS2B	GS2D	GS2G	GS2J	GS2K	GS2M	UNIT
Maximum Instantaneous Forward Voltage at 1.5A	V_F	1.15							Volts
Maximum DC Reverse Current at rated DC Blocking Voltage	$T_A = 25^\circ\text{C}$	5.0							μA
	$T_A = 125^\circ\text{C}$	125							
Typical Reverse Recovery Time at $I_F=0.5A, I_R=1.0A, I_{RR}=0.25A,$	T_{rr}	2.0							μs
Typical junction capacitance at 4.0V, 1MHz	C_J	30							pF

Notes:

- Thermal resistance from Junction to ambient and from junction to lead mounted on P.C.B.with 0.3×0.3" (8.0 × 8.0mm) copper pad areas.

CURRENT 2.0 Ampere
 VOLTAGE RANG 50 to 1000 Volts

GS2AF THRU GS2MF

RATING AND CHARACTERISTIC CURVES GS2A Thru GS2M

FIG.1-FORWARD CURRENT DERATING CURVE

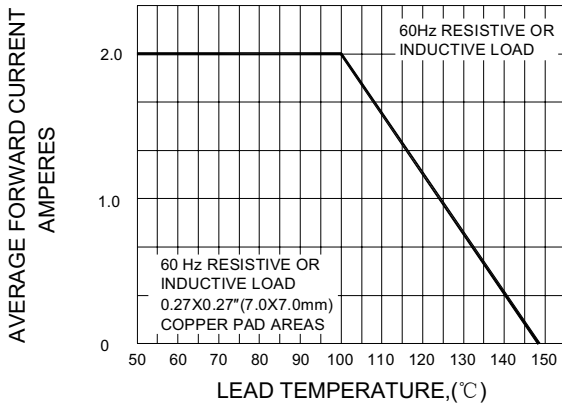


FIG.2-MAXIMUM NON-REPETITIVE PEAK FORWARD SURGE CURRENT

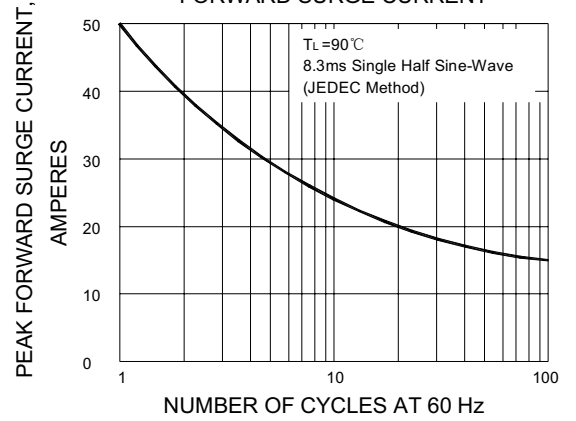


FIG.3-TYPICAL INSTANTANEOUS FORWARD CHARACTERISTICS

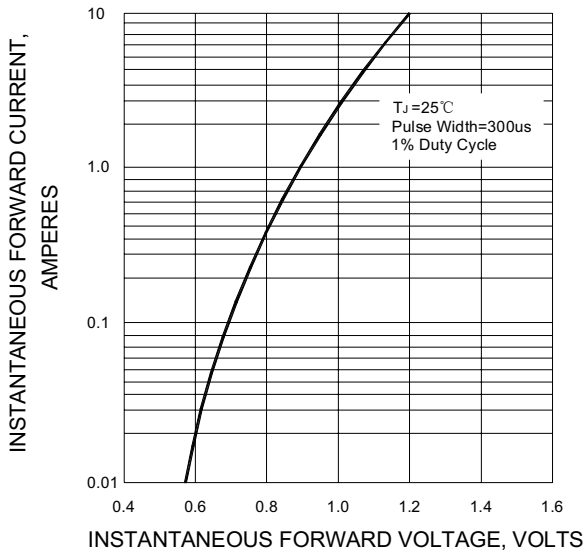


FIG.4-TYPICAL REVERSE CHARACTERISTICS

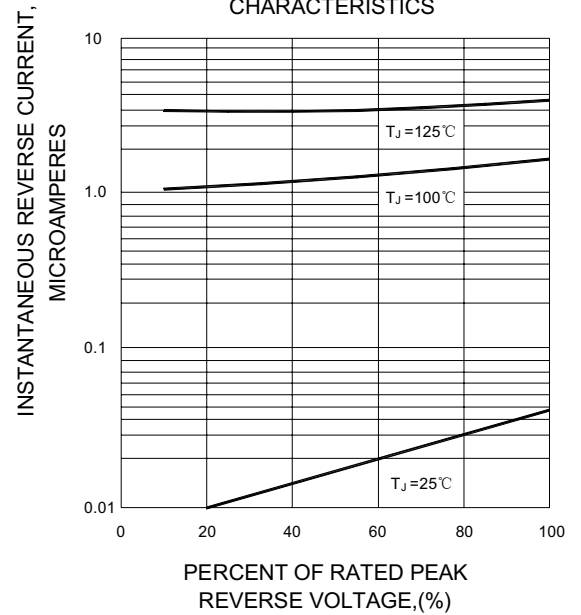


FIG.5-TYPICAL JUNCTION CAPACITANCE

